

1.8° Size 42mm High Torque Hybrid Stepping Motor

General Specification for Hybrid Step Motors

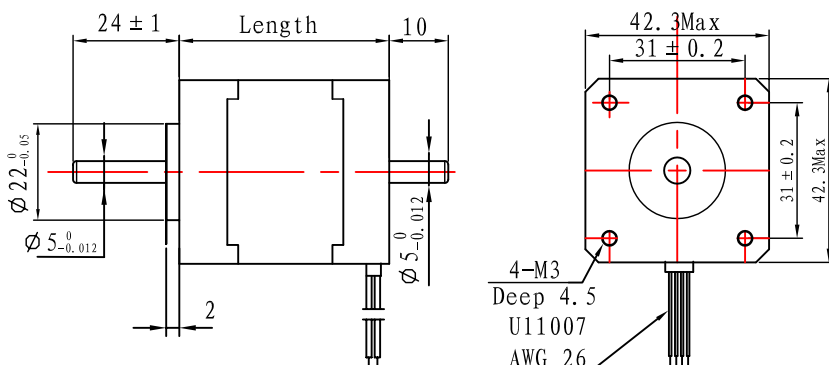
| Item | Specifications |
|-----------------------|--------------------------------------|
| Step Angle Accuracy | ± 5% (full step, no load) |
| Resistance Accuracy | ± 10% |
| Inductance Accuracy | ± 20% |
| Temperature Rise | 80°C Max, (rated current, 2phase on) |
| Ambient Temperature | -10°C ~ +50°C |
| Insulation Resistance | 100MΩ Min. 500VDC |
| Dielectric Strength | 500VAC for one minute |
| Shaft Radial Play | 0.06 Max, (450g-load) |
| Shaft Axial Play | 0.08 Max, (450g-load) |



Size 42mm Hybrid Stepping Motor Specifications

| Model No. | | Rated voltage | Current/phase | Resistance/phase | Inductance/phase | Holding Torque | | # of leads | Rotor Inertia | Weight | Length |
|--------------|--------------|---------------|---------------|------------------|------------------|----------------|-------|------------|-------------------|--------|--------|
| Single Shaft | Double Shaft | V | A | Ω | MH | Oz-in | Kg-cm | | g-cm ² | Kg | MM |
| 17H130H-01A | 17H130H-01B | 4 | 0.95 | 4.2 | 2.5 | 22 | 1.58 | 6 | 35 | 0.22 | 33 |
| 17H130H-02A | 17H130H-02B | 9.6 | 0.4 | 24 | 15 | | | | | | |
| 17H130H-03A | 17H130H-03B | 12 | 0.31 | 38.5 | 21 | | | | | | |
| 17H130H-04A | 17H130H-04B | 2.8 | 1.33 | 2.1 | 2.5 | 30 | 2.2 | 4 | | | |
| 17H150H-01A | 17H150H-01B | 4 | 1.2 | 3.3 | 3.2 | 36 | 2.59 | 6 | 54 | 0.28 | 38 |
| 17H150H-02A | 17H150H-02B | 6 | 0.8 | 7.5 | 6.7 | | | | | | |
| 17H150H-03A | 17H150H-03B | 12 | 0.4 | 30 | 30 | | | | | | |
| 17H150H-04A | 17H150H-04B | 2.8 | 1.68 | 1.65 | 3.2 | 50 | 3.6 | 4 | | | |
| 17H185H-01A | 17H185H-01B | 4 | 1.2 | 3.3 | 2.8 | 44 | 3.17 | 6 | 68 | 0.35 | 47 |
| 17H185H-02A | 17H185H-02B | 6 | 0.8 | 7.5 | 6.3 | | | | | | |
| 17H185H-03A | 17H185H-03B | 12 | 0.4 | 30 | 25 | | | | | | |
| 17H185H-04A | 17H185H-04B | 2.8 | 1.68 | 1.65 | 2.8 | 62 | 4.4 | 4 | | | |

Dimensions



Wiring Diagram

