

Product Features

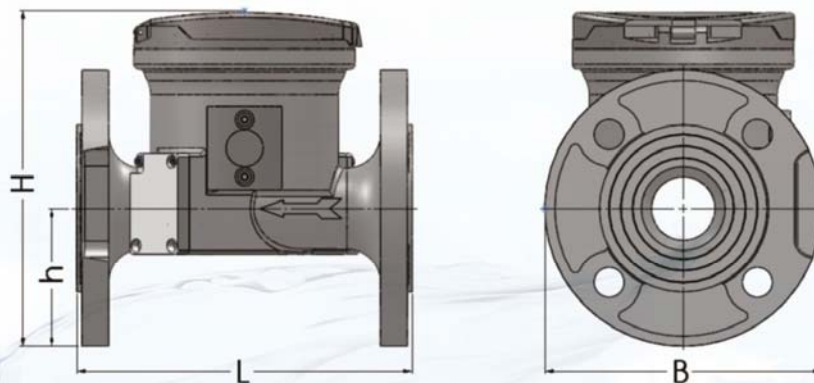
- ◆ Above 15 years shelf life.
- ◆ With stainless steel(SUS304) body.
- ◆ IP 68 design, longtime under water working.
- ◆ No moving parts. Excellent long-term stability and reliability.
- ◆ With a best-in-class turndown ratio as high as Q3:Q1=500:1.
- ◆ Can measure and storage both forward flow and backflow.
- ◆ Double channels ultrasonic transit-time sensor for High accuracy and reliable operation.
- ◆ Active leak, theft, backflow, meter damage/tamper, rate of flow, and battery life indication.
- ◆ Standard output is RS485, M-bus, Lora, NB-IoT, 4-20mA, Pulse, GPRS can be optional.



Technical Parameter

Types	Ultrawater							
Flow rate m³/h	DN 50-2"	DN 65-2.5"	DN 80-3"	DN 100-4"	DN 150-6"	DN 200-8"	DN 250-10"	DN 300-12"
Q4	50	50	80	125	313	500	1250	1250
Q3	40	40	63	100	250	400	1000	1000
Q2	0.128	0.128	0.2	0.32	0.8	1.28	3.2	3.2
Q1	0.08	0.08	0.125	0.2	0.5	0.8	2	2
R-Q3/Q1	500	500	500	500	500	500	500	500
Max. Working Pressure	1.6Mpa							
Pressure loss	△P16							
Temperature class	T50							
Work environment	Temperature: -25℃~55℃, Humidity: ≤100% (RH)							
Electromagnetic compatibility	E2							
Display	9-bit LCD display. Can display totalizer, Instant flow, error alarm, flow direction, output							
Data Storage	Can store the 10 years data, year, month and day							
Output	Modbus(baud rate: 19200、9600、4800、2400); 4-20mA, Pulse, (default 2ml/pulse) ; Lora, NB-IoT							
Power supply	DC3.6V(disposable lithium batteries)≥15 years							
Pipe Range	DN50-DN300							
IP Grade	IP68							
Accuracy class	Class 1							
Process connection	Flange							

Dimension



Technical Parameter

Types		Ultrawater							
Nominal Diameter	(mm)	50	65	80	100	150	200	250	300
	(inch)	2	2.5	3	4	6	8	10	12
L- pipe length (mm)		200	200	225	250	300	350	449	499
B- width (mm)		165	185	200	220	285	340	406	489
H- height (mm)		194	210	210	223	282	332	383	456
h- height (mm)		40	90	90	103	140	165	203	245
Weight (kg)		9	11.5	13	15	32	45	68	96

Accuracy Curve

