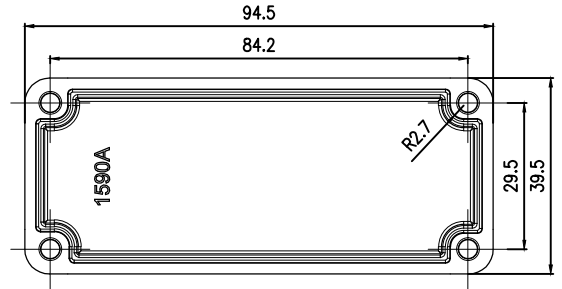
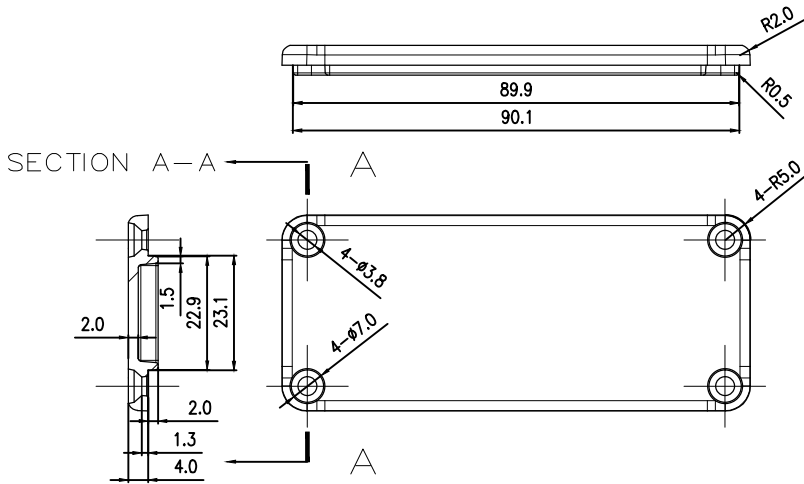
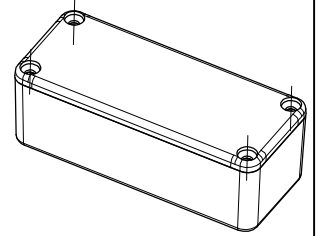
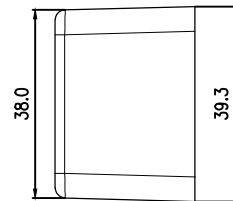
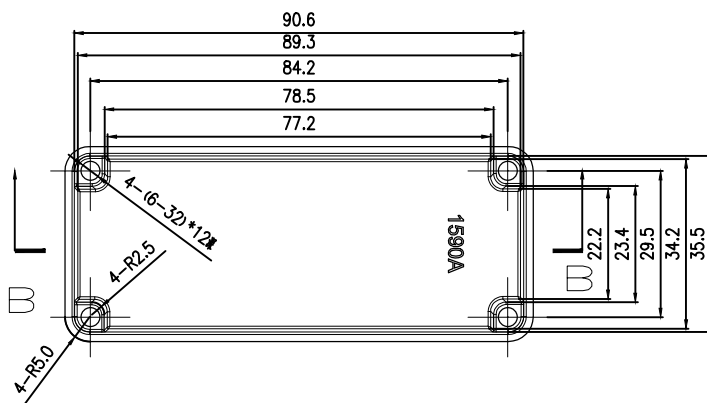
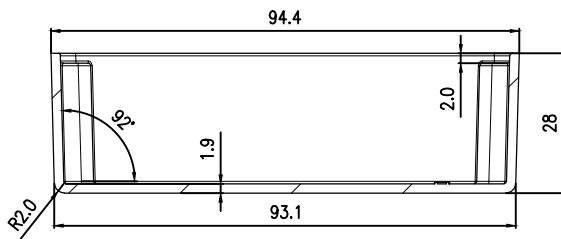


1590A



SECTION B-B



Technical Requirement:

- 1.No Deformation.
- 2.No Burrs,No Sharp Edges.
- 3.Vibration Grinding Finish.
- 4.Finish of Box &Lid Applied for Powder Coating or Silk Screen.
- 5.Tolerance as per General Tolerance Table.
- 6.Material: Cast Aluminum Alloy ADC12.

General Tolerance		NINGBO BEILUN JIAWEI MACHINERY CO.,LTD			
Size Range	Tolerance	Formation	Processing	IPQC	Cast Aluminum Enclosure
0.5-3	±0.1	Proof	Auditor		
3-6	±0.1	Approval			
6-30	±0.2				
30-120	±0.3				
120-400	±0.5				
Model	1590A				
Mat.	ADC12				
Drawing No.					
Scale		Unit	mm		
Rev.	A0	Paper	A3		